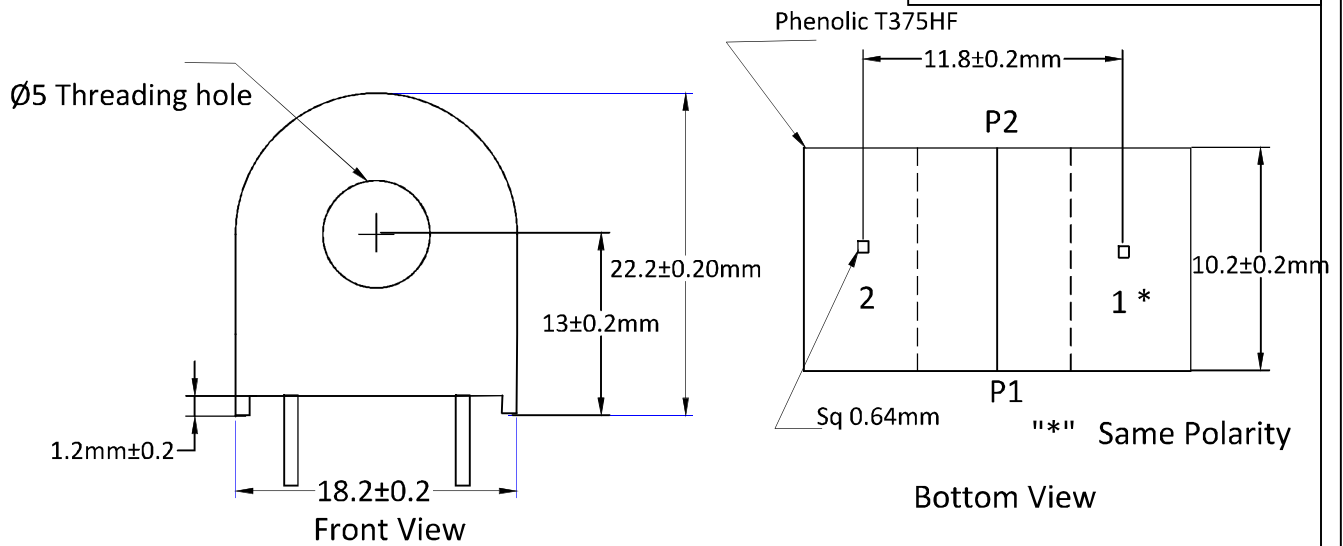


Mechanical Parameters



| Technical parameters | |
|-----------------------|--|
| Model | SVMCT1010 |
| Input current | 0-10A(50Ω) |
| Rated output current | 10mA at input 10A |
| Turns ratio | 1000:1 |
| accuracy class | 0.2 |
| Linearity | ≤0.2% |
| Isolation voltage | 4500V |
| Application | Precise measurement of current and power |
| Encapsulation | Epoxy |
| Installation | PCB mounting (Pin Length>3mm) |
| Operating temperature | -40°C~+85°C |


Small size,high accuracy, good consistency, for current and power measurement

All materials will comply with RoHS 2 directive 2011/65/EU

**At the end of life cycle of product, it is considered to be an E-waste. It has to be scraped at Government Authorized Scrap Agency or place.

ROHS COMPLIANT

| ALL DIMENSIONS ARE IN mm. GENERAL TOLERANCES FOR METRIC DIMENSIONS WHERE NOT SPECIFIED | | | | | | | | | |
|--|----------|----------|--------|------|-------------------------------|--------|---------|----------|-----------|
| DECIMAL DIMENSIONS | | | | | DIMENSIONS OTHER THAN DECIMAL | | | | |
| 1 PLACES | 2 PLACES | 3 PLACES | ANGLES | 0-6 | 7-30 | 31-120 | 121-315 | 316-1000 | 1001-2000 |
| ±0.1 | ±0.02 | ±0.005 | ±2° | ±0.1 | ±0.2 | ±0.3 | ±0.6 | ±0.8 | ±1.2 |

| | | | | | | | | | |
|---|--------|-------------|------|---|--|-----------------|--|----------|--|
| TITLE : Specification | | | | PART DESC | | | | | |
| | | | | 10 Amps Current Transformer | | | | | |
| | | | | CUSTOMER PART NO | | SVM PART CODE | | | |
| | | | | | | | | | |
| REV | | DATE | | SHEET | | | | | |
| A | | 18-Feb-2022 | | Initial Releasing | | 2 of 3 | | | |
| CH LTR | ALT NO | SIGN | DATE | CHANGES | | | | | |
| ALL DIMENSIONS ARE IN mm. | | | | GENERAL TOLERANCE ±0.05 mm UNLESS OTHERWISE SPECIFIED | | | | | |
|  | | | | DRAWN | | CHECKED | | APPROVED | |
| | | | | P.Vigneshwaran | | P.Mohanasundram | | P.Dinesh | |

This document is the private property of the company. It must not be reproduced, disclosed to any third parties or used for manufacturing purposes without permission in writing from the company.

Deliveries to be only as per the approved sample. Any change in tool (making, replacement) and material only with prior approval.