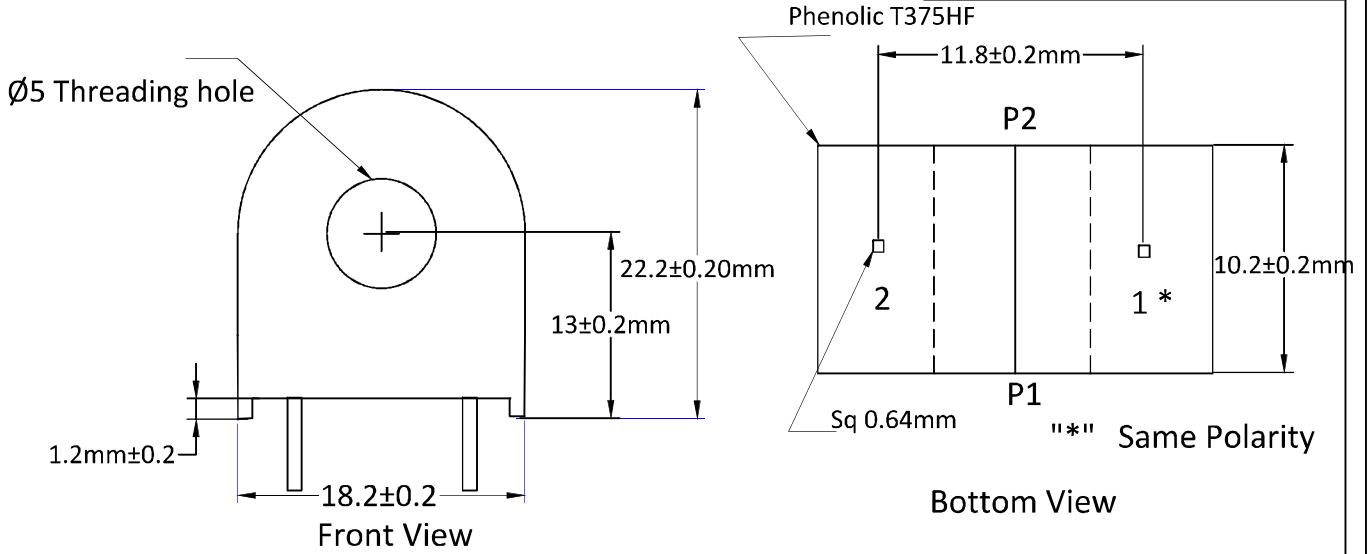


This document is the private property of the company. It must not be reproduced, disclosed to any third parties or used for manufacturing purposes without permission in writing from the company.

# Mechanical Parameters



Technical parameters	
Model	SVMCT1005
Input current	0-5A(50Ω)
Rated output current	5mA at input 5A
Turns ratio	1000:1
accuracy class	0.2
Linearity	$\leq 0.2\%$
Isolation voltage	4500V
Application	Precise measurement of current and power
Encapsulation	Epoxy
Installation	PCB mounting (Pin Length>3mm)
Operating temperature	-40°C+85°C

**Small size, high accuracy, good consistency, for current and power measurement**

All materials will comply with RoHS 2 directive 2011/65/EU

\*\*At the end of life cycle of product, it is considered to be an E-waste. It has to be scrapped at Government Authorized Scrap Agency or place.

**ROHS COMPLIANT**

ALL DIMENSIONS ARE IN mm. GENERAL TOLERANCES FOR METRIC DIMENSIONS WHERE NOT SPECIFIED									
DECIMAL DIMENSIONS				DIMENSIONS OTHER THAN DECIMAL					
1 PLACES	2 PLACES	3 PLACES	ANGLES	0-6	7-30	31-120	121-315	316-1000	1001-2000
$\pm 0.1$	$\pm 0.02$	$\pm 0.005$	$\pm 2^\circ$	$\pm 0.1$	$\pm 0.2$	$\pm 0.3$	$\pm 0.6$	$\pm 0.8$	$\pm 1.2$

TITLE : Specification				PART DESC			
				5 Amps Current Transformer			
				CUSTOMER PART NO		SVM PART CODE	
				REV A		DATE 18-Feb-2022	SHEET 2 of 3
CH LTR	ALT NO	SIGN	DATE 18-Feb-2022	Initial Releasing			
				CHANGES			
ALL DIMENSIONS ARE IN mm.				GENERAL TOLERANCE $\pm 0.05 \text{ mm}$ UNLESS OTHERWISE SPECIFIED			
						SCALE : NTS	
						SIZE : A4	



DRAWN		CHECKED	APPROVED
P.Vigneshwaran		P.Mohanasundram	P.Dinesh

Deliveries to be only as per the approved sample. Any change in tool (making, replacement) and material only with prior approval.