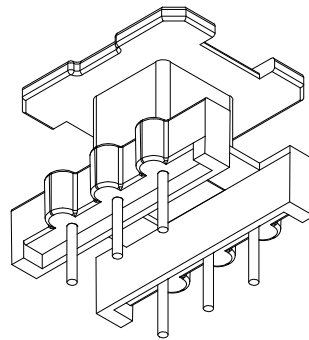
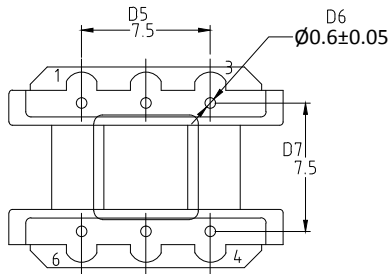
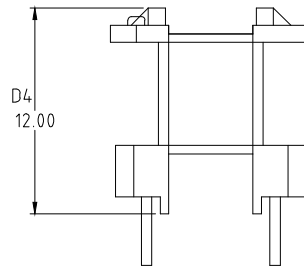
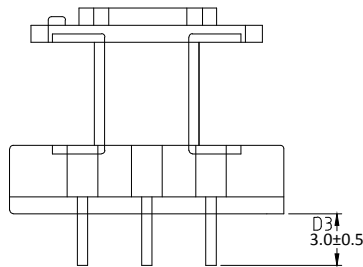
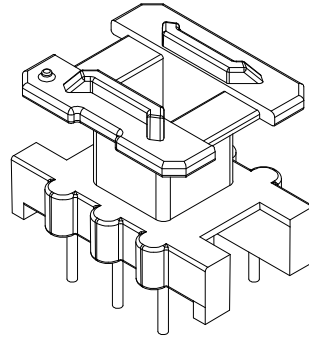
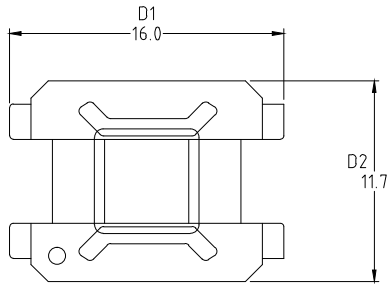


BOBBIN DRAWING



NOTE:

1. Pin pull out force individual Pin: 10 N min.
2. Pin height can be changed as per customer request.

ALL DIMENSIONS ARE IN mm.						RoHS COMPLIANT	
DIMENSIONS IN MM	0.5 to 3	3 to 6	6 to 30	30 to 120	120 to 400	400 to 1000	1000 to 2000
GENERAL TOLERANCE	±0.05	±0.05	±0.1	±0.15	±0.2	±0.3	±0.5

MATERIAL : PHONOLIC T375HF					PART DESC		
					E 16 / 6 / 5, 6 PIN, Vertical Bobbin		
					DWG NO.		SVM PART CODE
					SVM - BA291		BA291
					REV	DATE	SHEET
					01	13.01.2021	1 of 1
CH LTR	ALT NO	SIGN	DATE	CHANGES			
01	13.01.21		13.01.21	First Drawing			
SVM PRIVATE LIMITED CHENNAI					DRAWN Sridhar.V.R	CHECKED B.M.Sundaram	APPROVED
							P.Dinesh

This document is the private property of the company. It must not be reproduced, disclosed to any third parties or used for manufacturing purposes without permission in writing from the company.

Deliveries to be only as per the approved sample. Any change in tool (making, replacement) and material only with prior approval.