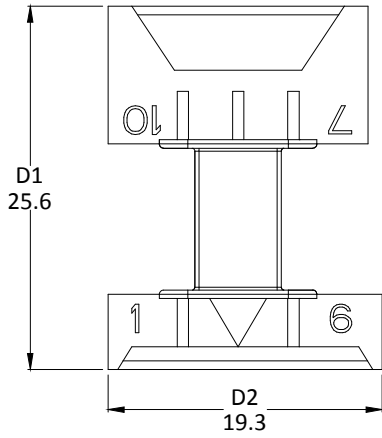
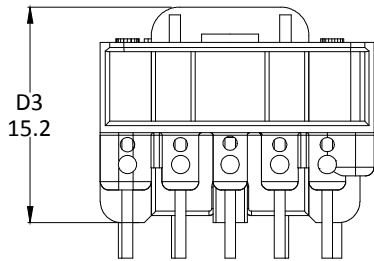


# BOBBIN DRAWING

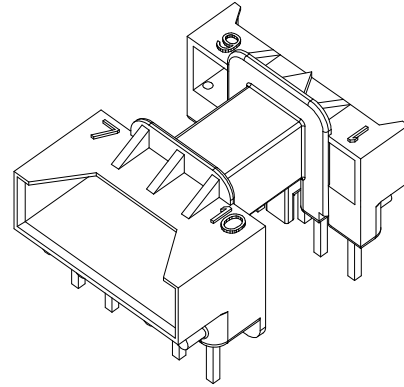
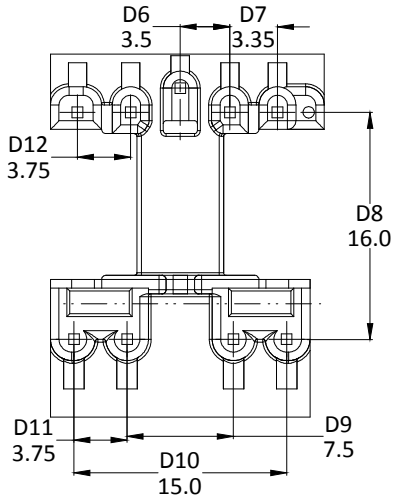
FRONT VIEW



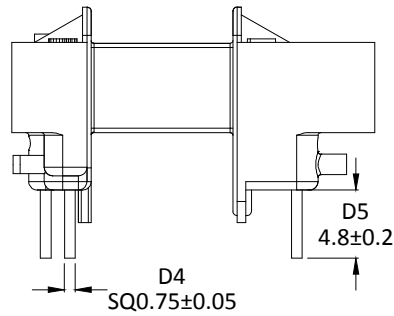
ELEVATION



BOTTOM VIEW



SIDE VIEW



Note:

1. Pin pull out force : 10N Min.
2. Pin height can be changed as per customer request.

GENERAL TOLERANCE FOR UNSPECIFIED DIMENSION  
(DIN ISO 2768-1)

| LIMITS IN MM NOMINAL SIZE IN MM |          |              |               |                 |                  |                   |                    | RoHS COMPLIANT     |  |
|---------------------------------|----------|--------------|---------------|-----------------|------------------|-------------------|--------------------|--------------------|--|
| Tolerance class                 | 0.5 to 3 | above 3 to 6 | above 6 to 30 | above 30 to 120 | above 120 to 400 | above 400 to 1000 | above 1000 to 2000 | above 2000 to 4000 |  |
| M (medium)                      | ±0.1     | ±0.1         | ±0.2          | ±0.3            | ±0.5             | ±0.8              | ±1.2               | ±2                 |  |

MATERIAL: ARNITE, TV4 264SN, DSM / Valox 420SE (PBT 30% GF)

PART DESC

E16/8/5, 9Pin Horizontal Bobbin

DWG NO

SVM - BA513

SVM PART CODE

BA513

REV

01

DATE

12.01.21

SHEET

1 of 1

CH LTR

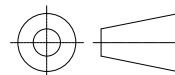
ALT NO

SIGN

DATE

CHANGES

ALL DIMENSIONS ARE IN mm.



SCALE : NTS

SIZE : A4

**svm**  
CHENNAI

DRAWN

S.Sathish

REVIEWED BY  
QUALITY

R.Yuvaraj

REVIEWED BY  
R&D

B.M.Sundaram

APPROVED

P.Dinesh

Deliveries to be only as per the approved sample. Any change in this document is the private property of the company. It must not be reproduced, disclosed to any tool (making, replacement) and material only with prior approval of the company.