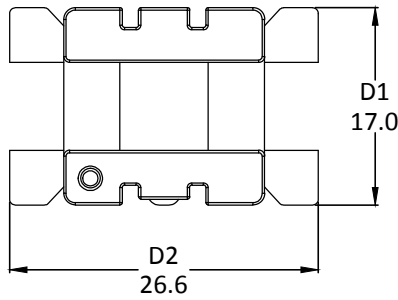


This document is the private property of the company. It must not be reproduced, disclosed to any third parties or used for manufacturing purposes without permission in writing from the company.

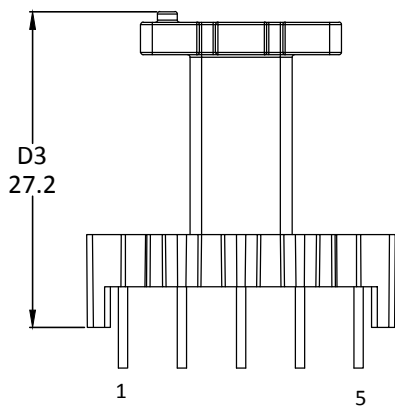
Deliveries to be only as per the approved sample. Any change in tool (making, replacement) and material only with prior approval.

BOBBIN DRAWING

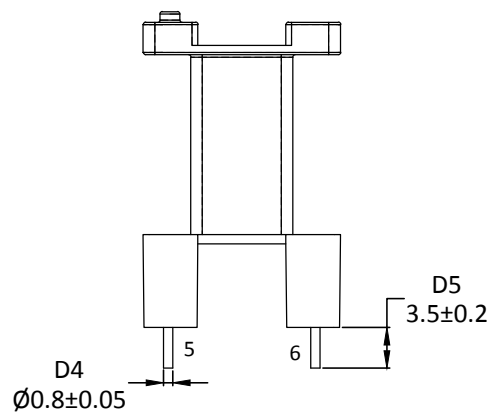
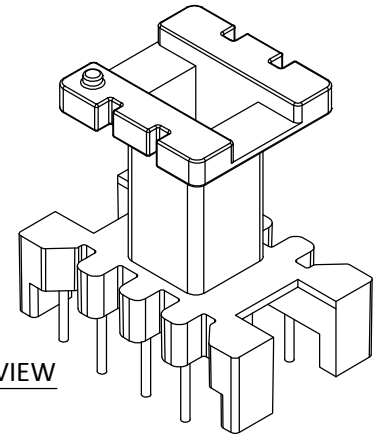
TOP VIEW



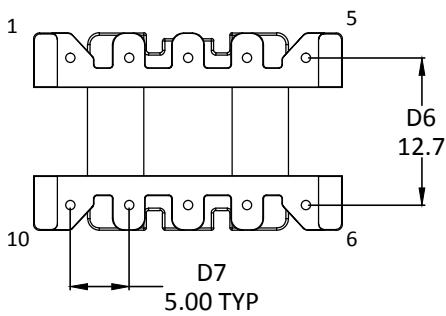
ELEVATION



SIDE VIEW



BOTTOM VIEW



- Note:
1. Pin pull out force : 10N Min.
 2. Pin height can be changed as per customer request.

GENERAL TOLERANCE FOR UNSPECIFIED DIMENSION
(DIN ISO 2768-1)

| Tolerance class | LIMITS IN MM NOMINAL SIZE IN MM | | | | | | | RoHS COMPLIANT | |
|-----------------|---------------------------------|--------------|---------------|-----------------|------------------|-------------------|--------------------|--------------------|--|
| | 0.5 to 3 | above 3 to 6 | above 6 to 30 | above 30 to 120 | above 120 to 400 | above 400 to 1000 | above 1000 to 2000 | above 2000 to 4000 | |
| M (medium) | ±0.1 | ±0.1 | ±0.2 | ±0.3 | ±0.5 | ±0.8 | ±1.2 | ±2 | |

| | | | | | | | | | |
|------------------------------------|--------|------|------|---------|--|----------------------------------|---------------------------------|----------------------|-----------------|
| MATERIAL: Bobbin : PHENOLIC T375HF | | | | | PART DESC E25X13X7, 10PIN , VERTICAL BOBBIN | | | | |
| | | | | | DWG NO SVM - BA883 | | SVM PART CODE BA883 | | |
| | | | | | REV 01 | | DATE 29.12.20 | | SHEET 1 of 1 |
| CH LTR | ALT NO | SIGN | DATE | CHANGES | | | SCALE : NTS | | |
| ALL DIMENSIONS ARE IN mm. | | | | | | | SIZE : A4 | | |
| CHENNAI | | | | | DRAWN S.Sathish | REVIEWED BY QUALITY R.Yuvaraj | REVIEWED BY R&D B.M.Sundaram | APPROVED P.Dinesh | |