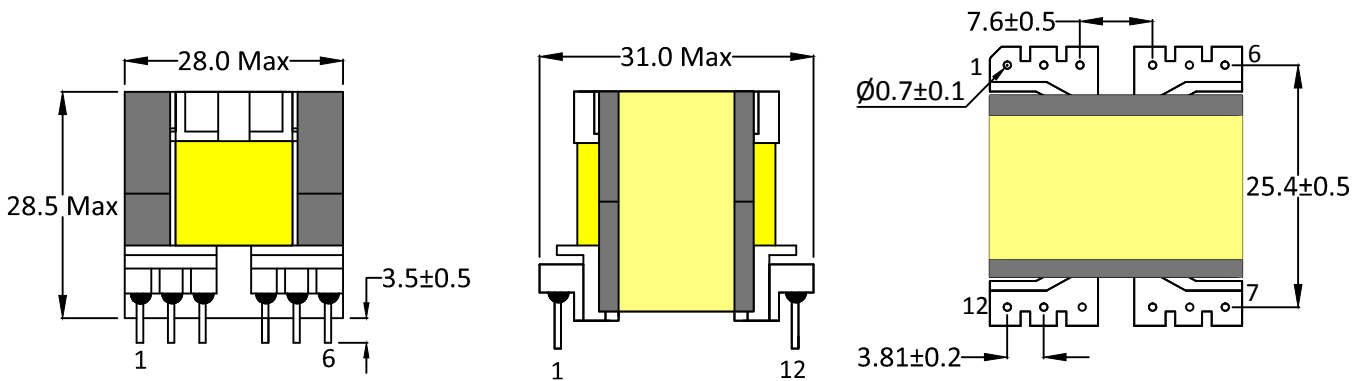


HIGH FREQUENCY SMPS TRANSFORMER

PQ 26*25 (High profile)

Information:

- Size : 31(L) * 28.0(W) * 28.5(H)
- Power : 135W - 174W
- Operating frequency range : 50kHz - 100kHz
- Mounting orientation : Vertical
- Effective Ae (mm²) : 121.4



PQ 26*25 (Low profile)

INFORMATION:

- Size : 31(L) * 28.0(W) * 27.0(H)
- Power : 135W - 174W
- Operating frequency range : 50kHz - 100kHz
- Mounting orientation: Vertical
- Effective Ae (mm²) : 121.4

