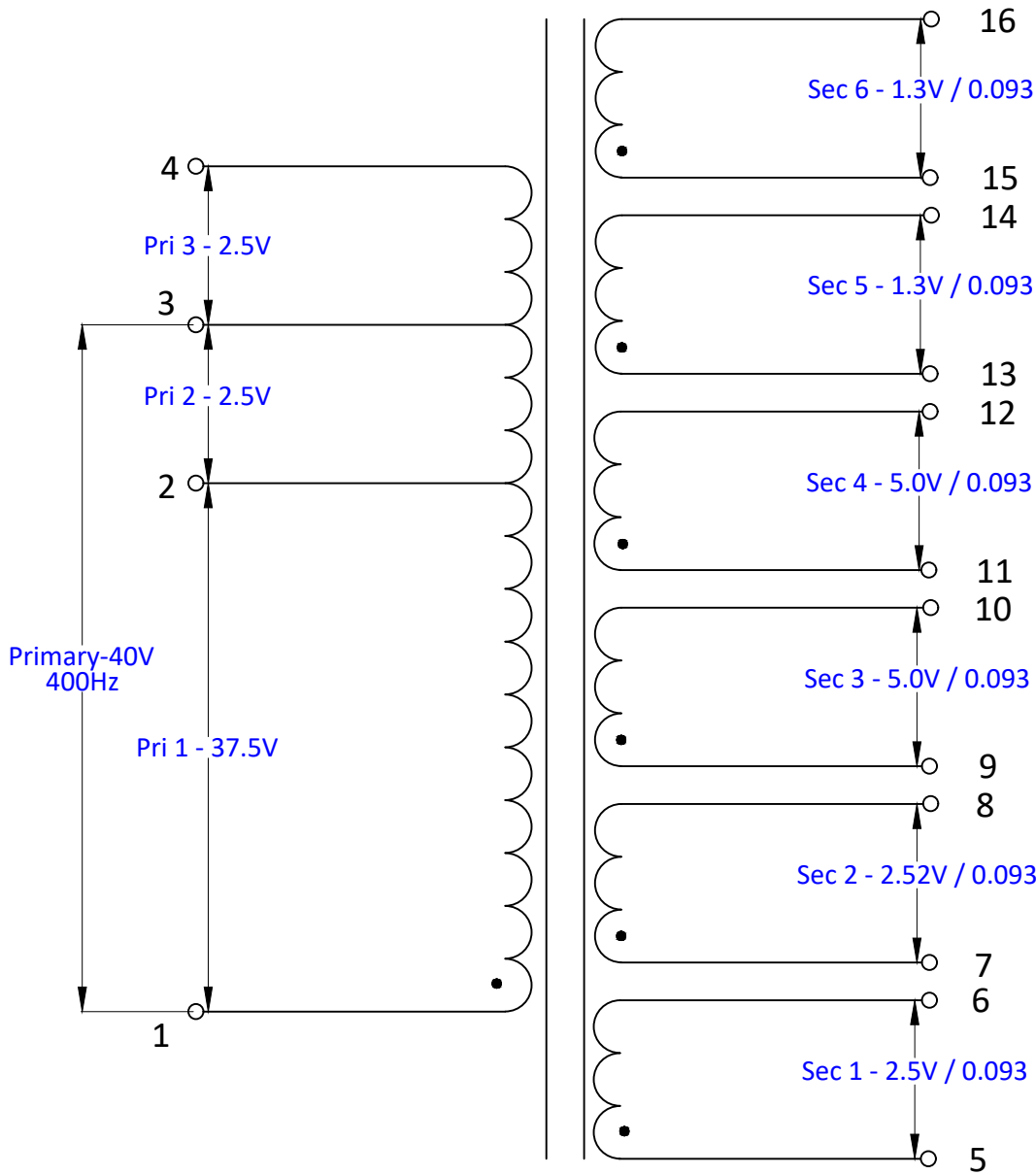


# SCHEMATIC DIAGRAM



● Indicates the starting of Winding

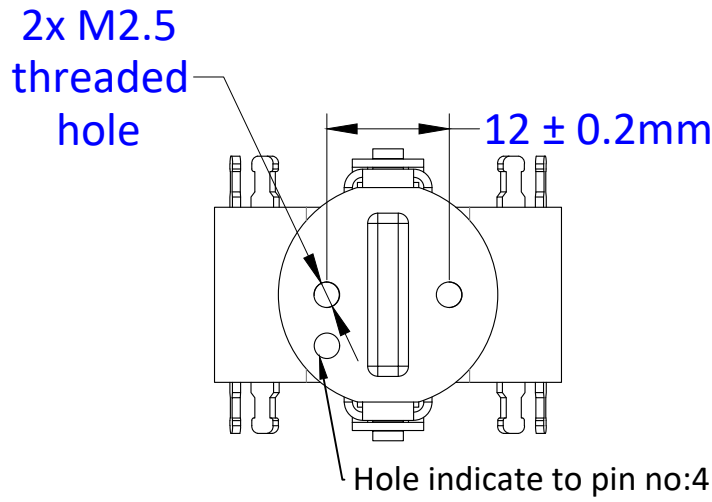
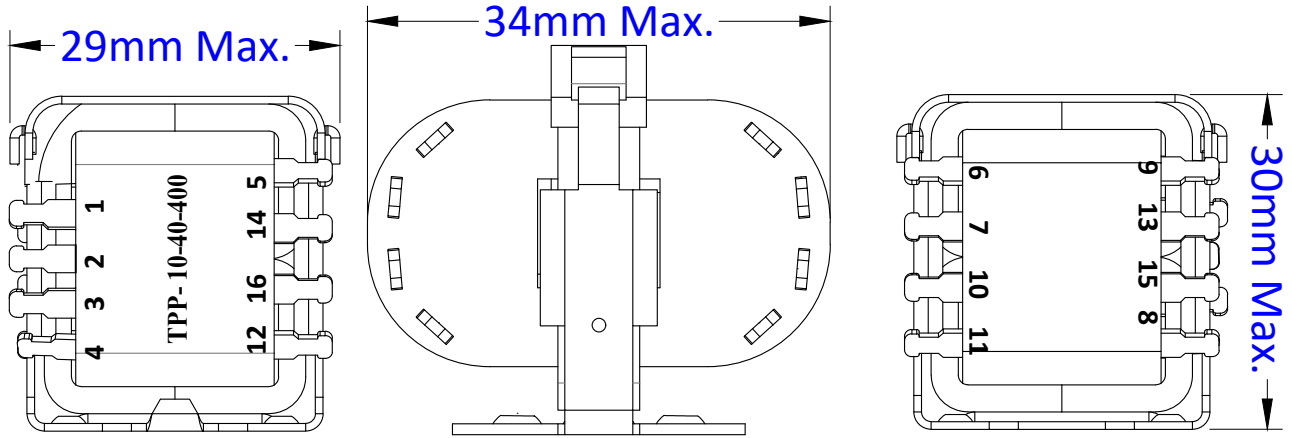
ROHS COMPLIANT

TITLE : Schematic Diagram				PART DESC		
				Transformer		
				CUSTOMER PART NO		SVM PART CODE
						98058
				REV	DATE	SHEET
				A	12-07-2023	1 of 3
CH LTR	ALT NO	SIGN	DATE	CHANGES		
			12-07-2023	Initial Release		
ALL DIMENSIONS ARE IN mm.			GENERAL TOLERANCE $\pm 0.05$ mm UNLESS OTHERWISE SPECIFIED			
						SCALE : NTS
						SIZE : A4
				DRAWN	CHECKED	APPROVED

This document is the private property of the company. It must not be reproduced, disclosed to any third parties or used for manufacturing purposes without permission in writing from the company.

Deliveries to be only as per the approved sample. Any change in tool (making, replacement) and material only with prior approval.

# MECHANICAL DIMENSION



ROHS COMPLIANT

TITLE : Mechanical Diagram					PART DESC			
					Transformer			
					CUSTOMER PART NO		SVM PART CODE	
							98058	
		REV	DATE		SHEET			
A		12-07-2023	Initial Release		2 of 3			
CH LTR	ALT NO	SIGN	DATE	CHANGES				
ALL DIMENSIONS ARE IN mm.				GENERAL TOLERANCE $\pm 0.05$ mm UNLESS OTHERWISE SPECIFIED				
 CHENNAI							SCALE : NTS	
 CHENNAI					DRAWN		CHECKED	APPROVED

This document is the private property of the company. It must not be reproduced, disclosed to any third parties or used for manufacturing purposes without permission in writing from the company.

Deliveries to be only as per the approved sample. Any change in tool (making, replacement) and material only with prior approval.

# ELECTRICAL SPECIFICATION

## 1.Voltage given at the primary windings of the transformer

Mains rated voltage V. across terminals 1& 3	Voltage across		Tolerance %
	2-3	3-4	
40V at 400Hz	2.5V	2.5V	1% of mains Nominal voltage

## 2.Secondary winding voltage in open circuit condition

Open circuit current A (Max)	Secondary winding Voltage					
	Tolerance $\pm 3\%$				Tolerance $\pm 10\%$	
	5-6	7-8	9-10	11-12	13-14	15-16
0.10	2.93	2.96	5.93	5.97	1.52	1.52

## 3.Secondary voltage & current in rated load current

Primary current A (Max)	Secondary Voltage						Secondary windings Current A
	Tolerance $+10\%,-5\%$				Tolerance $+14\%,-10\%$		
	5-6	7-8	9-10	11-12	13-14	15-16	
0.12	2.5	2.52	5.0	5.0	1.3	1.3	0.093

ROHS COMPLIANT

TITLE : Electrical Specification

PART DESC

Transformer

CUSTOMER PART NO

SVM PART CODE

98058

REV

DATE

SHEET

A

12-07-2023

3 of 3

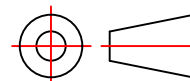
CH LTR

ALT NO

SIGN

DATE

CHANGES



SCALE : NTS

SIZE : A4

ALL DIMENSIONS ARE IN mm.

GENERAL TOLERANCE  $\pm 0.05$  mm  
UNLESS OTHERWISE SPECIFIED

DRAWN

CHECKED

APPROVED

**svm**  
CHENNAI

This document is the private property of the company. It must not be reproduced, disclosed to any third parties or used for manufacturing purposes without permission in writing from the company.

Deliveries to be only as per the approved sample. Any change in tool (making, replacement) and material only with prior approval.

This document is the private property of the company. It must not be reproduced, disclosed to any third parties or used for manufacturing purposes without permission in writing from the company.

- 1. Insulation resistance : Across windings As well as between body & Windings :  $\geq 1000M\Omega$  at 500VDC
- 2. Insulation strength :
  - Primary winding to body : 500V, 50Hz
  - Primary to secondary winding : 500V, 50Hz
  - Secondary winding & Body : 500V, 50Hz
  - Across the Secondary windings : 500V, 50Hz
- 3. Rated capacity VA : 1.65VA(Nom), 3.5VA(Max)
- 4. Primary winding voltage across 1&3 : 38V(Min), 42V(Max)
- 5. Main frequency Hz : 380Hz (Min), 1000Max
- 6. Temperature rise :  $\leq 55^{\circ}C$
- 7. Part no : TPP 10-40-400  
(Equivalent to Russian transformer TIII 10-40-400)

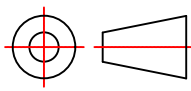

**ENVIRONMENTAL TESTS :**

**The transformer will meet thermal & humidity requirements.**

- 1. High operating temperature of medium :  $85^{\circ} \pm 2^{\circ}C$
- 2. Low operating temperature of medium :  $-60^{\circ}C$
- 3. Temperature variation of medium :  $-60^{\circ}C$  to  $+85^{\circ}C$
- 4. High relative humidity at temperature of medium  $25^{\circ}C$  :  $98+0/-5\%$

-----

ROHS COMPLIANT

TITLE : Electrical Specification				PART DESC			
				Transformer			
				CUSTOMER PART NO		SVM PART CODE	
						98058	
				REV	DATE	SHEET	
				A	12-07-2023	3 of 3	
CH LTR	ALT NO	SIGN	DATE	CHANGES			
			12-07-2023	Initial Release			
ALL DIMENSIONS ARE IN mm.			GENERAL TOLERANCE $\pm 0.05$ mm UNLESS OTHERWISE SPECIFIED				
							SCALE : NTS
						SIZE : A4	
				DRAWN		CHECKED	APPROVED
						-	-

Deliveries to be only as per the approved sample. Any change in tool (making, replacement) and material only with prior approval.